



Model Name:RLT0B5

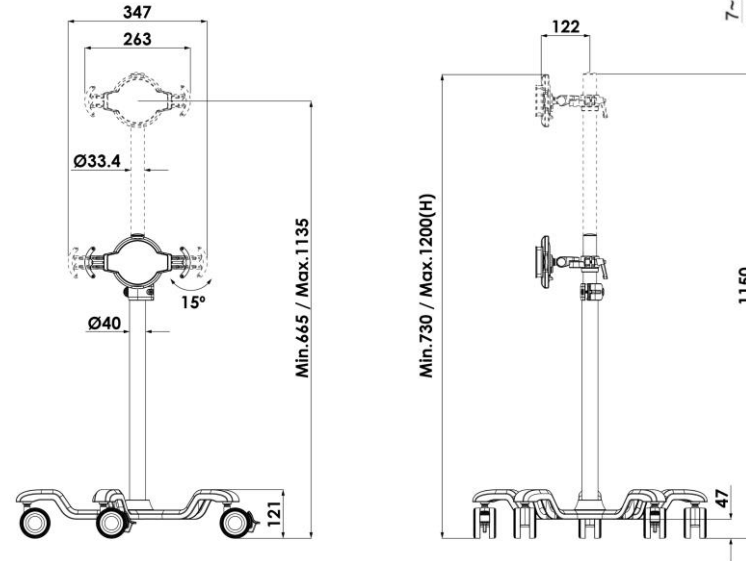
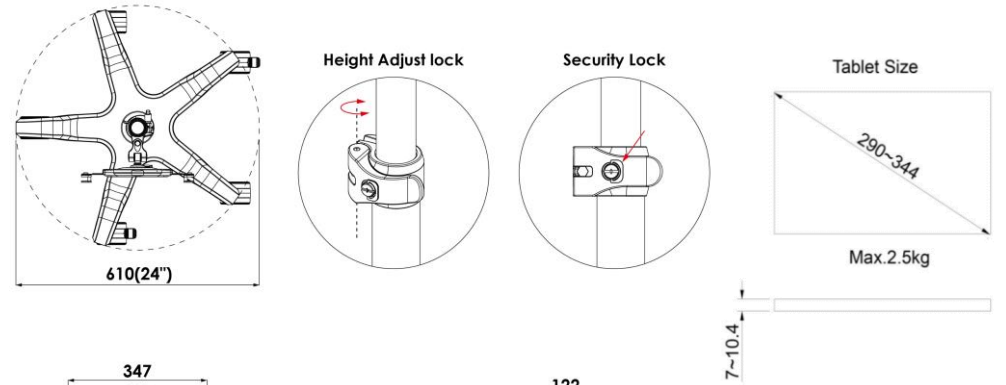
Date:2021/03/03(A)

Complete System

Net Weight	TBD
Dimension(W*D*H)	610 x 610 x 1200 mm (24.01" x 24.01" x 47.24")
Material	Alumimum Alloy / Plastic / Steel

Display System

Hinge Module	Swivel	+/-90°
	Tilt	+/-90°
	Pivot	360°
Display Support	Mounting Pattern	290~344 mm(11.42"~13.54")
	Suggested Tablet Size	9"~11"
	Support Max. Weight	Max. 2.5kg (5.51lbs)
Base Module	Base Size	24" with 5-Legs
	Caster Size	3" (2 pcs with brakes)
Height Adjust	Height Adjustment Range	470 mm (18.5")



Tilt	Swivel	Rotate	Bracket Lock	Security lock	Kensington Lock