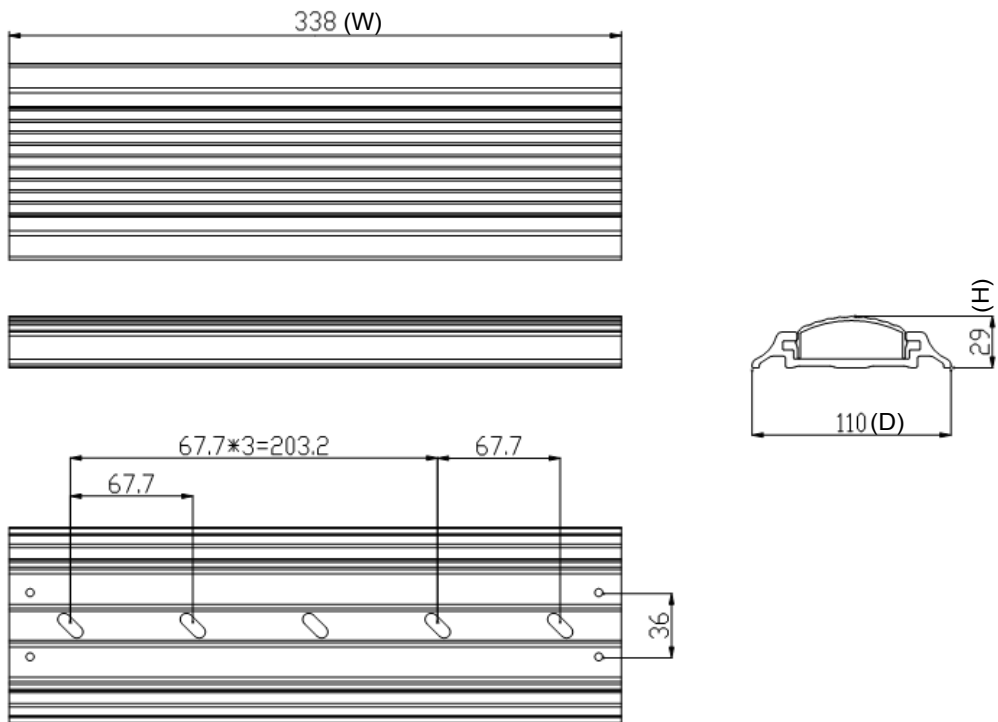




Model :CHA33

SPECIFICATIONS

材质	Aluminum Alloy/PVC
尺寸	338*29*110mm(13.31"x1.14"x4.33")
重量	0.69 Kg (1.52lbs)



Demo 1:



Demo 2:

